

## Freestanding Ranges

FFGF3012T W/B

30" Gas



### Product Dimensions

Height (Max.)	45-3/16"
Width	29-7/8"
Depth (Including Handle)	29-1/4"

### More Easy-To-Use Features

LP Gas Conversion Option

Manual Clean Oven

Available in:



White  
(W)



Black  
(B)

Burners	BTU
Right Front	9,000
Right Rear	9,000
Left Front	9,000
Left Rear	9,000

## Signature Features

### Broil and Serve Drawer

Easily toast, brown, or crisp the outside of your food at the touch of a button.

### Built with American Pride

Designed, engineered and assembled in the U.S.A.

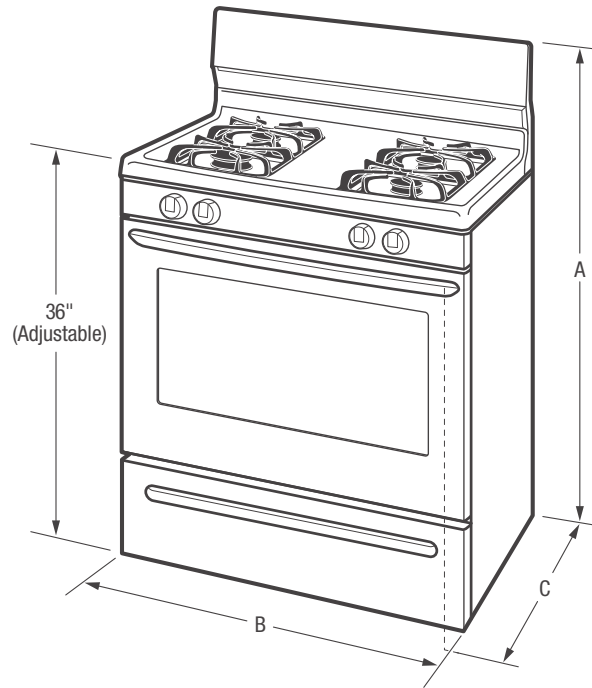
### Low Simmer Burner

Perfect for cooking delicate foods and sauces.

### Electronic Kitchen Timer

Times up to 12 hours.

Features	
Oven Control/Timing System	Ready-Select® Controls
Surface Type	Color-Coordinated Porcelain
Sealed Gas Burners	
Grates	Black Square Wire
Window	Large
Exterior Door Finish	Color-Coordinated
Handle Design	Color-Coordinated
Exterior Finish (Side Panels)	Color-Coordinated
Convection System	
Oven Cleaning System	Manual Clean
Drawer Functionality	Broil & Serve
Oven Controls	
Bake	Yes
Broil	Variable
Add-a-Minute	
Delay Start	
Self-Clean	
Quick Clean Option	
Delay Clean	
Kitchen Timer	Yes
Timed Cook Option	
Auto Oven Shut-Off	
Oven Lock-Out	
Cooktop Features	
Right Front Burner (BTU)	9,000
Right Rear Burner (BTU)	9,000
Left Front Burner (BTU)	9,000
Left Rear Burner (BTU)	9,000
Center Extra Zone Burner (BTU)	
Oven Features	
Capacity (Cu. Ft.)	4.2
Oven Light	1
Rack Configuration	2 Standard
Baking System	Even Baking Technology
Broiling System	Vari-Broil™ Hi/Lo
Bake Burner/Broil Burner (BTU)	18,000/16,000
Specifications	
Oven Interior (H x W x D)	17" x 23" x 18-3/4"
Power Supply Connection Location	Center Bottom Rear
Gas Supply Connection Location	Right Bottom Rear
LP Gas Conversion Kit	Included
Voltage Rating	120V/60Hz/5A
Amps @ 120 Volts	5
Shipping Weight (Approx.)	160 Lbs.



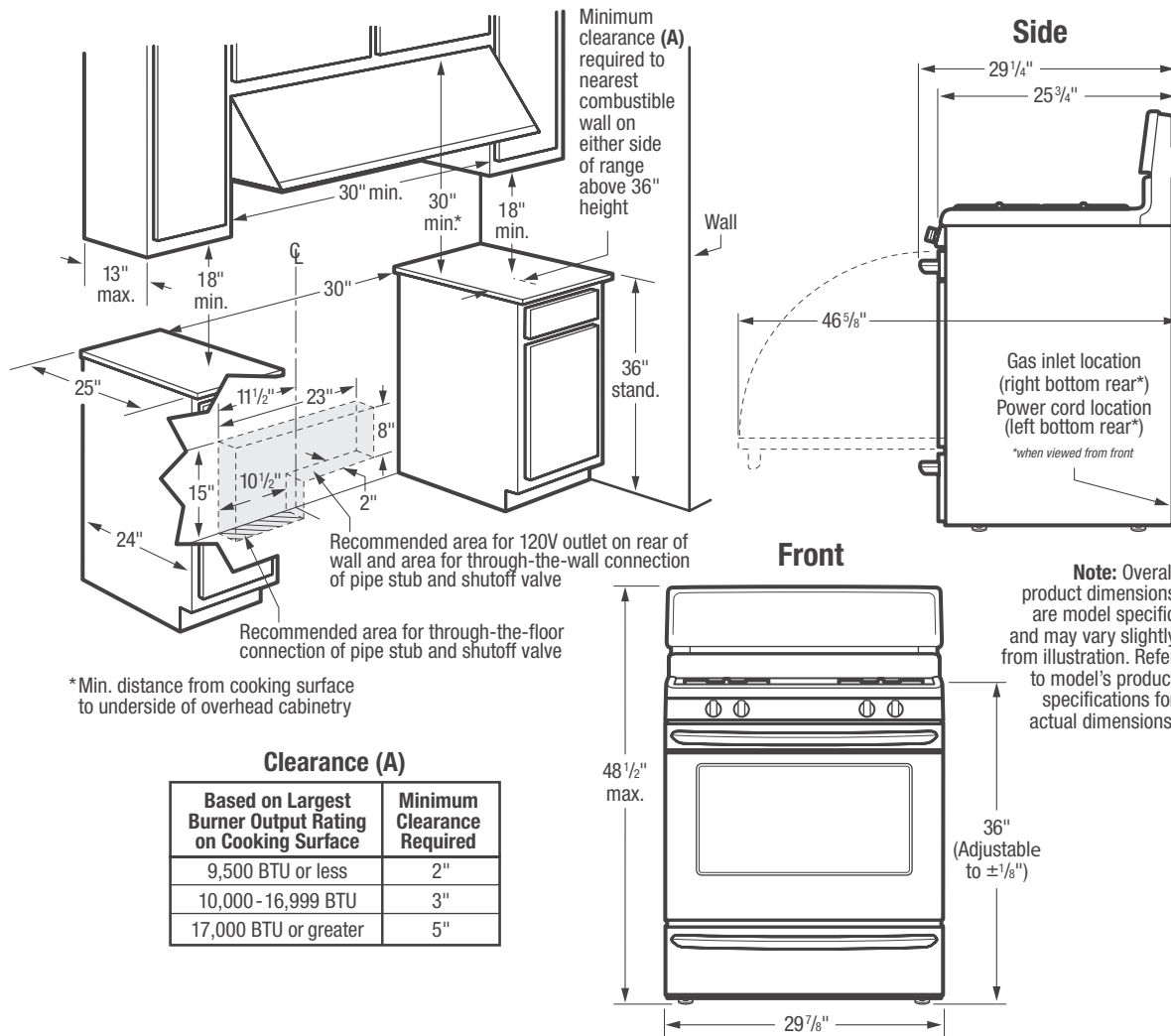
*NOTE: For planning purposes only. Always consult local and national electric and gas codes. Refer to Product Installation Guide for detailed installation instructions on the web at [frigidaire.com](http://frigidaire.com).*



Product Dimensions	
A - Height (Max.)	45-3/16"
B - Width	29-7/8"
C - Depth (Including Handle)	29-1/4"
Depth with Door Open 90°	45"

Cutout Dimensions	
Height (Standard)	36"
Width (Min.)	30"
Depth (Min.)	24"

*Accessories information available on the web at [frigidaire.com](http://frigidaire.com)*



**Note:** Overall product dimensions are model specific and may vary slightly from illustration. Refer to model's product specifications for actual dimensions.

**Freestanding Range Specifications**

- Product Shipping Weight (approx.) - 160 Lbs.
- Voltage Rating - 120V/60 Hz/5 Amps
- Amps @ 120 Volts = 5 Amps
- Always consult local and national electric and gas codes.
- Make sure wall coverings around range can withstand heat generated by range.
- Linoleum or any other synthetic floor covering located beneath range, must be capable of withstanding minimum heat of 90°F above room temperature without shrinking, warping or discoloring. Insulating pad or 1/4"-thick plywood required between range and a carpeted floor.
- Do not obstruct flow of combustion air at oven vent nor around base or beneath lower front panel of range. Range requires fresh air for proper burner combustion.
- Do not install range beneath any downward-blowing, overhead vent hood or air curtain.
- Range ships with 3/4" factory regulator.
- LP Gas Conversion Kit supplied.

- Floor beneath range MUST be solid and level.
- Overhead cabinetry should not exceed a 13" maximum depth.
- Absolute minimum horizontal distance between overhead cabinets installed to either side of appliance must be no less than maximum width of appliance.
- Range can be installed flush to wall with 0" minimum rear clearance.
- Minimum clearance required (from edge of rangetop to nearest combustible wall on either side of range above 36" height) is based on largest burner output rating on cooking surface.
- To reduce risk of fire when using overhead cabinetry, install range hood that projects horizontally a recommended minimum of 5" beyond bottom of cabinets.
- Follow all dimension requirements provided to prevent property damage, potential fire hazard, and incorrect countertop and cabinet cuts.

**Note:** For planning purposes only. Refer to Product Installation Guide on the web at [frigidaire.com](http://frigidaire.com) for detailed instructions.

