

RS25J500DSR

25 cu. ft. Side-by-Side Refrigerator

Features

- Large Capacity – 24.5 cu. ft.
- External Filtered Water and Ice Dispenser
- Bar-type LED Display
- Compact Ice Maker
- Six Temperature Sensors
- Power Freeze and Power Cool Options
- Tempered Glass Spill-Proof Shelves
- Two Crisper Drawers
- Gallon Door Bins

Convenience

- Door Alarm

Meets DOE Standards:

695 kWh/yr



Side-by-Side Design



External Filtered Water and Ice Dispenser

Available Colors



Stainless Steel



White



Black

Signature Features

LARGE CAPACITY

- Beautiful and sleek design that fit any kitchen décor. Available in 36" (24.5 cu. ft.) – fits up to 24.5 bags of groceries.* More space inside, not outside.

*Grocery comparison based on each cubic foot of usable space equaling one paper bag.

LED LIGHTING

- Beautifully lights up the interior so you're able to quickly spot what you want.
- Sleek design saves more space than traditional incandescent light bulbs.

EXTERNAL WATER FILTER AND ICE DISPENSER

- Get great-tasting, filtered water directly from your refrigerator. Spend less time and money buying bottled water.

SAMSUNG

RS25J500DSR

25 cu. ft. Side-by-Side Refrigerator

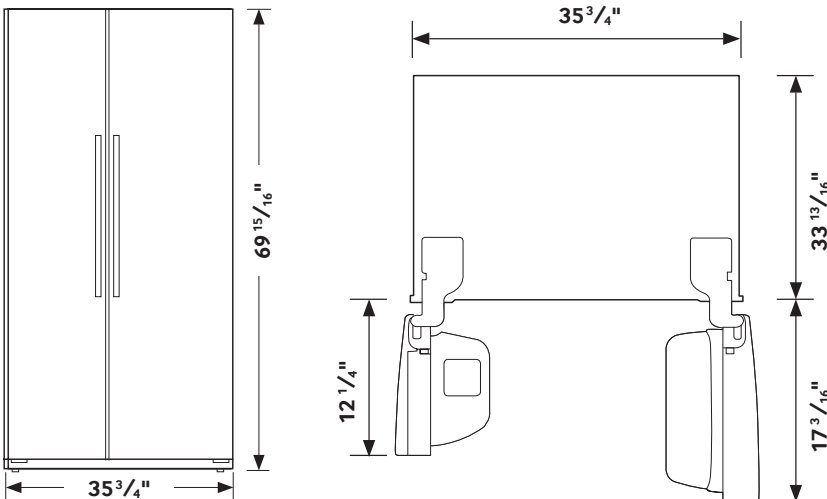
Installing Your Refrigerator

1. Measure the height, width and depth of the opening, making sure to include baseboards, molding tile, countertop overhang, etc. Check to be sure there is enough room to open the door (consider walls, islands or other obstacles when measuring).
2. Refer to illustration below to determine dimensions.
3. Allow 2" of clearance on hinge side of refrigerator when installing next to a wall where handle may make contact.
4. Allow 1" minimum clearance at rear for proper air circulation and water/electrical connections. Allow a 3/8" minimum clearance at sides and top for ease of installation.
5. Ensure each door and entryway in the home is wide enough for the refrigerator to be moved through easily.

Please note: The following dimension and cutout information is for planning purposes only. For complete installation details consult manual packed with product, or download manual online at samsung.com.



Dimensions



Total Capacity: 24.52 cu. ft.

Refrigerator: 15.72 cu. ft.

- 4 Tempered Glass Spill-Proof Shelves
- 1 Clear Crisper, 1 Humidity-Controlled Crisper Drawer
- 4 Door Bins
 - 2 Gallon Bins
 - 1 Door Bin
 - 1 Dairy Bin
- LED Lighting

Freezer: 8.8 cu. ft.

- External Filtered Water and Ice Dispenser (Crushed or Cubed Ice)
- Compact Ice Maker
- 4 Wire Shelves
- 1 Drawer
- 3 Door Bins
- LED Lighting

Accessories

Water Filter: HAF-CIN

Warranty

One (1) Year Parts and Labor on Refrigerator

Five (5) Years Parts and Labor on Sealed Refrigeration System Only*

*Compressor, evaporator, condenser, drier, connecting tubing.

Product Dimensions & Weight

Dimensions (WxHxD with hinges, handles and doors):

35³/₄" x 69¹⁵/₁₆" x 36³/₁₆"

Dimensions (WxHxD without hinges and door):

35³/₄" x 68⁵/₈" x 29⁷/₁₆"

Dimensions (WxHxD with hinge and door, no handle):

35³/₄" x 69¹⁵/₁₆" x 33¹³/₁₆"

Weight: 253.5 lbs.

Shipping Dimensions & Weight (WxHxD)

Dimensions: 37³/₄" x 78⁷/₈" x 36³/₁₆"

Weight: 265.7 lbs.

Color	Model #	UPC Code
Stainless Steel	RS25J500DSR	887276099453
White	RS25J500DWW	887276099354
Black	RS25J500DBC	887276099347

SAMSUNG

Actual color may vary. Design, specifications, and color availability are subject to change without notice. Non-metric weights and measurements are approximate.

©2015 Samsung Electronics America, Inc. 85 Challenger Road, Ridgefield Park, NJ 07660. Tel: 800-SAMSUNG. samsung.com. Samsung is a registered trademark of Samsung Electronics Co. Ltd.