

WF42H5200AP

Samsung Front-Load Washer

4.2 cu. ft. Capacity DOE

Features

- Steam Washing
- Smart Care
- Self Clean+
- VRT™
- Diamond Drum Design
- Direct Drive Motor
- 1200 rpm Maximum Spin Speed
- Internal Water Heater
- 9 Preset Wash Cycles
- 10 Options
- Garment+

Convenience

- Child Lock
- Door Lock
- Dispenser Trays: Main Wash, Softener, Bleach



ENERGY STAR® rated:

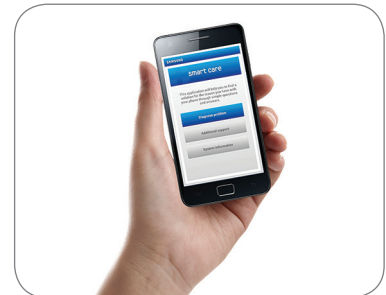
CEE Tier 3

MEF=3.20

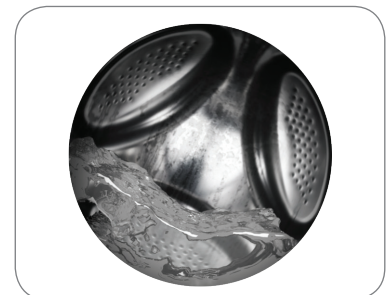


WCF=2.90

95 kWh/yr



Smart Care



Self Clean+

Available Colors:



Platinum



White

Signature Features

STEAM WASHING

- Powerful steam removes stains.
- No pre-treatment needed.

SMART CARE

- Troubleshoot with your smartphone.
- Perform a quick diagnosis of your washer and dryer right from your smartphone.*

*Available for iPhone 4/4S/5/5S and Galaxy S1/S2/S3/S4 NOTE/NOTE2.

SELF CLEAN+

- New self-cleaning technology.
- Keeps your front load washer fresh without the use of harsh chemicals.
- Reminds you to run Self Clean+ every 40 cycles.
- Additional cleaning of the gasket.



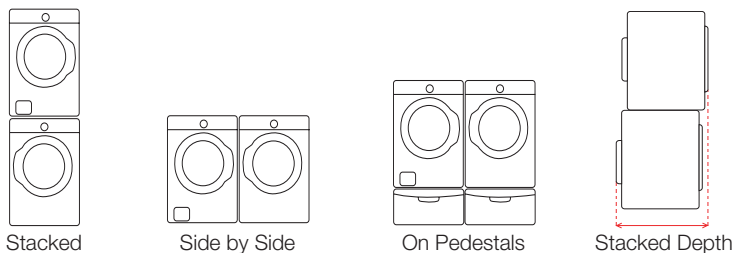
Ranked **"Highest in Customer Satisfaction with Clothes Washers"**
by J.D. Power and Associates.
(5 Consecutive Years)

SAMSUNG

WF42H5200AP

Samsung Front-Load Washer

Installing Options



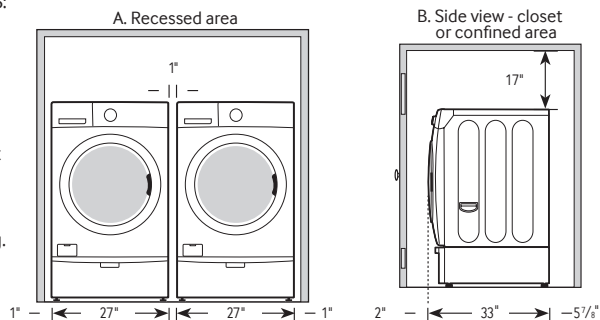
Installing Your Washer

1. Alcove or closet installation

MINIMUM CLEARANCES FOR CLOSET AND ALCOVE INSTALLATIONS:

Sides – 1"
Rear – 5⁷/₈"
Top – 17"
Closet Front – 2"

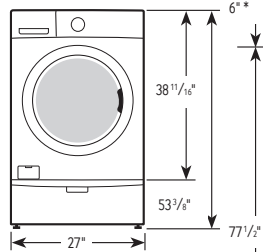
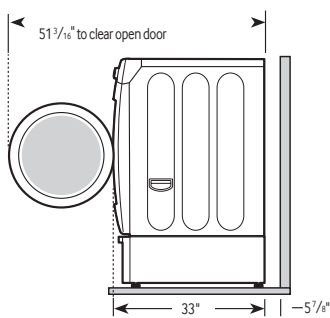
If the washer and dryer are installed together, the closet front must have at least a 72" unobstructed air opening. Your washer alone does not require a specific air opening.



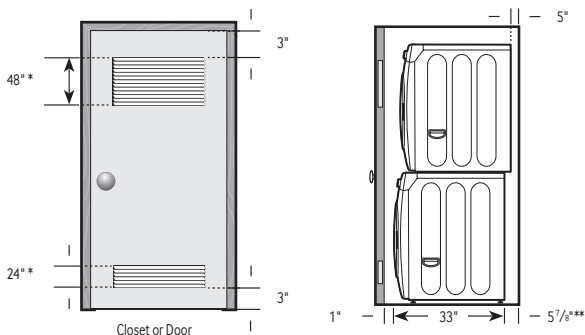
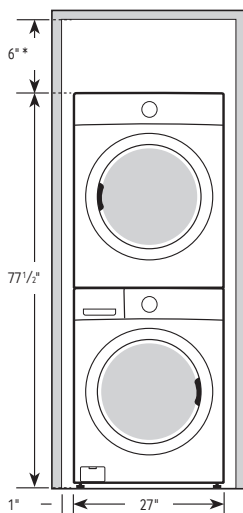
Dimensions

2. With optional pedestal base or stacking kit

Required Dimensions for Installation with Pedestal



Required Dimensions for Installation with Stacking Kit



*Required spacing.
**External exhaust elbow requires additional space.

4.2 cu. ft. Capacity DOE

9 Preset Wash Cycles:

Normal, Heavy Duty, Permanent Press, Sanitize, Allergen, Bedding, Delicates, Quick Wash, Rinse and Spin

10 Options:

Steam, Self Clean+, Delay End, My Cycle, Extra Rinse, Extra Spin, Sound, Spin Only, Child Lock, Smart Care

4 Temperature Settings:

Hot, Warm, Eco Warm, Cold

4 Spin Settings:

High, Medium, Low, No Spin

3 Soil Settings:

Heavy, Normal, Light

Dispenser Trays:

Main Wash, Softener, Bleach

Warranty

One (1) Year Parts and Labor
Two (2) Years Control Board
Three (3) Years Stainless Steel Drum
Ten (10) Years Direct Drive Motor

Product Dimensions & Weight (WxHxD)

Dimensions: 27" x 38¹¹/₁₆" x 33"

Weight: 194 lbs

Shipping Dimensions & Weight (WxHxD)

Dimensions: 29¹/₄" x 41¹¹/₁₆" x 34⁵/₈"

Weight: 203 lbs

| Color | Model # | UPC Code |
|----------|-------------|--------------|
| Platinum | WF42H5200AP | 887276963082 |
| White | WF42H5200AW | 887276962993 |

Matching Dryer (Electric/Gas)

| | | |
|----------|-------------|--------------|
| Platinum | DV42H5200EP | 887276963204 |
| White | DV42H5200EW | 887276963211 |
| Platinum | DV42H5200GP | 887276963235 |
| White | DV42H5200GW | 887276963242 |

Actual color may vary. Design, specifications, and color availability are subject to change without notice. Non-metric weights and measurements are approximate.

SAMSUNG

Samsung received the highest numerical score for clothes washers (2009-2012) and dryers (2008-2012) in the proprietary J.D. Power and Associates Laundry Appliance Studies. SM 2012 study based on 9,339 total responses measuring 12 brands, and measures opinions of consumers about their washer and dryer obtained new in the past 24 months. Proprietary study results are based on experiences and perceptions of consumers surveyed in January-February 2012. Your experiences may vary. Visit jdpower.com.

©2014 Samsung Electronics America, Inc. 85 Challenger Road, Ridgefield Park, NJ 07660. Tel: 800-SAMSUNG. samsung.com. Samsung is a registered trademark of Samsung Electronics Co. Ltd.